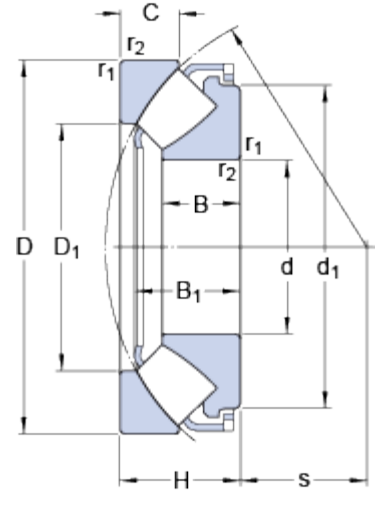


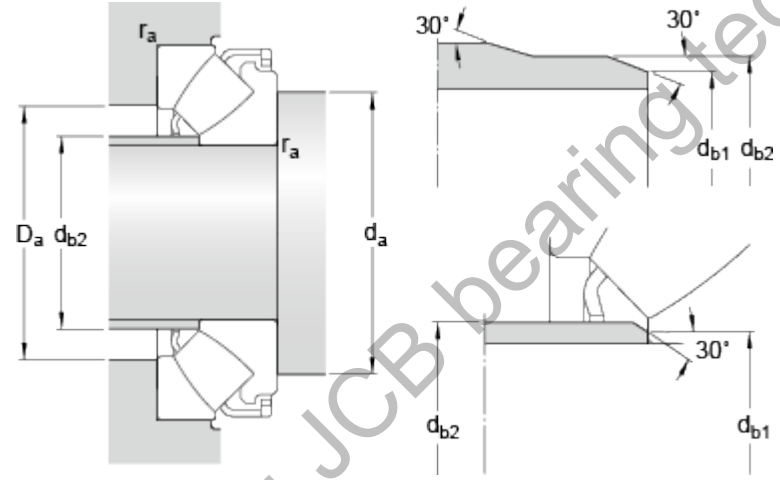
▶
29326

Dimensions



d	130	mm
D	225	mm
H	58	mm
d ₁	≈ 203	mm
D ₁	≈ 166	mm
B	36.7	mm
B ₁	50.6	mm
C	30.1	mm
s	75.6	mm
r _{1,2}	min. 2.1	mm

Abutment dimensions



d _a	min. 175	mm
d _{b1}	max. 138	mm
d _{b2}	max. 143	mm
D _a	max. 194	mm
r _a	max. 2	mm

Calculation data

Basic dynamic load rating	C	865	kN
Basic static load rating	C ₀	2500	kN
Fatigue load limit	P _u	280	kN
Reference speed		1600	r/min
Limiting speed		2600	r/min
Minimum axial load factor	A	0.59	

Mass

Mass bearing		9	kg
--------------	--	---	----